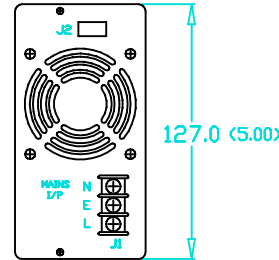
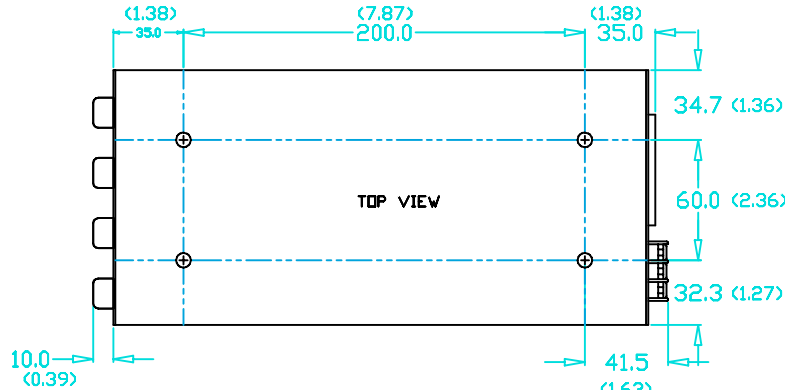
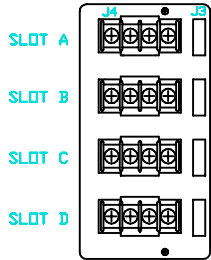


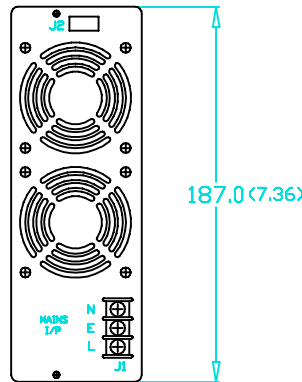
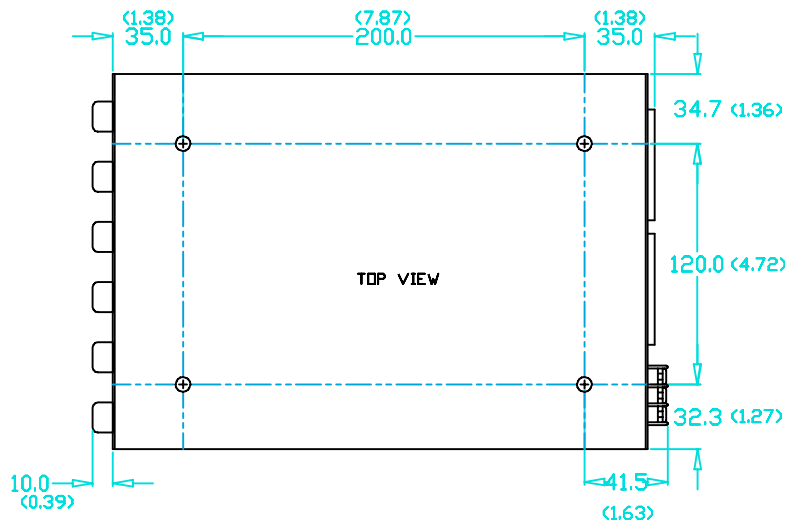
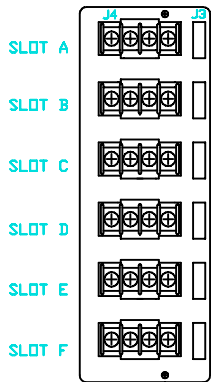
← AIRFLOW

4 SLOT MECHANICAL SPECIFICATIONS



CONNECTORS
 J1: LINE INPUT CONNECTOR, MOLEX BEAU 71803-C SCREW TERMINAL, MAX TORQUE 1.5Nm.
 J2, J3: GLOBAL OPTIONS MATING CONNECTOR: MOLEX 50-37-5043 PIN 08-70-1040.
 J4: OUTPUT POWER CONNECTOR MODULES 1,2,3,4,5,6: BEAU TERMINAL CONNECTOR: #6-32 SCREW TERMINALS. SCREW TERMINAL, MAX TORQUE 1.5Nm. MODULE 7: M6 BY 10mm THREADED STUD SCREW TERMINAL, MAX TORQUE 3.5Nm.

6 SLOT MECHANICAL SPECIFICATIONS



ACCESSORIES
 61069 PARALLEL LINKS
 61070 SERIES LINKS
 362D010 'U' LINK
 61070
 61069
 362D010

NOTES
 ALL DIMENSIONS mm (INCHES)
 MOUNTING HOLES (M4) ON BASE AND SIDE
 MAX SCREW PENETRATION IS 4mm
 RECOMMENDED TORQUE ON SCREWS IS 1.5Nm
 WEIGHT IS 2.5KG FOR 4SLOT AND 3.5KG FOR 6SLOT

00		M.P.	29-07-02
REV	ECN #	SIGNED	DATE

TOLERANCES UNLESS OTHERWISE STATED, ACCORDING TO DIN 2768-1/-2 CLASS m ALL DIMENSIONS IN mm.

MATERIAL	DOCUMENT NO.	TITLE				TITLE (SHORT FORM)	
FINISH	61313	3 MED MECHANICAL DRAWING					
SCALE: NOT TO SCALE	ORIGINAL :	PREPARED	DATE	CHECKED	DATE	RELEASED	DATE
		M.P.	29-07-02	S.D.	29-07-02	N.vdW	30-07-02

EXCELSYS TECHNOLOGIES LTD.
 SWORDS BUSINESS PARK,
 SWORDS CO DUBLIN, IRELAND.
 (T) +353 | 8900933 (F) +353 | 8901358
 (WEB) www.excelsys.com
 PAGE 1 OF 1