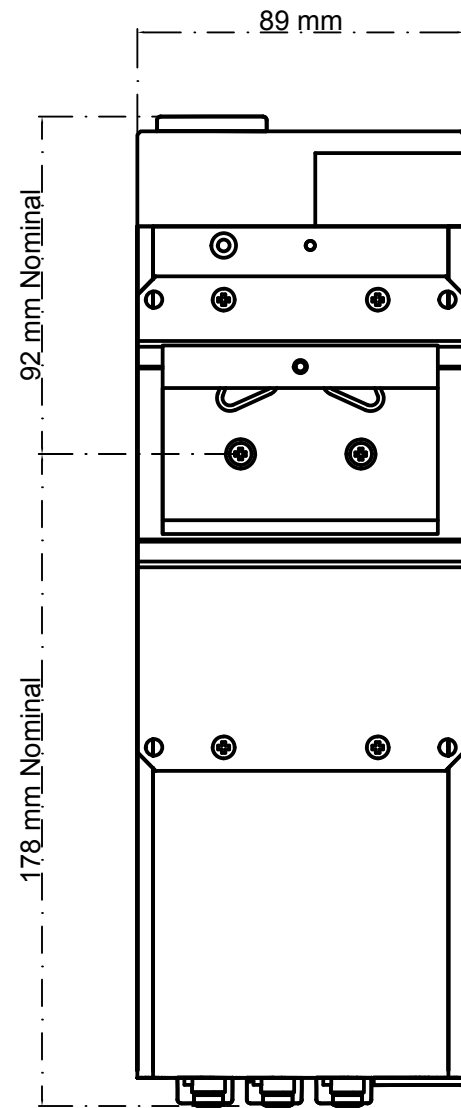
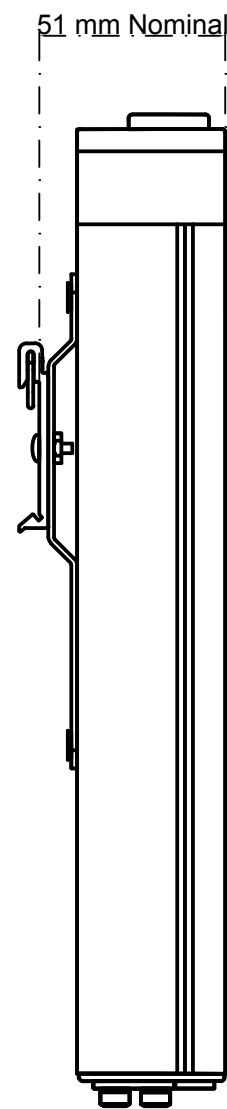
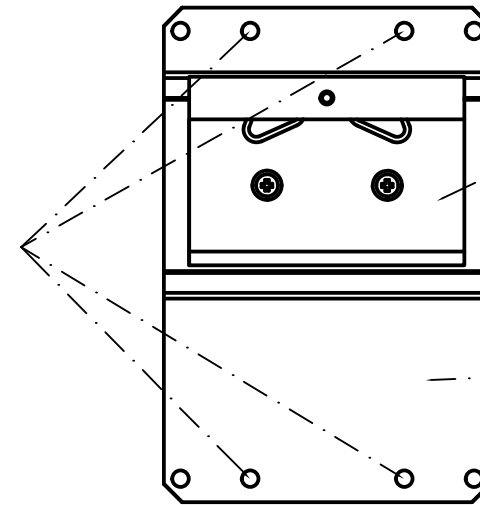


Xgen/Ultimod 4-Slot DIN Rail Mounting Guide

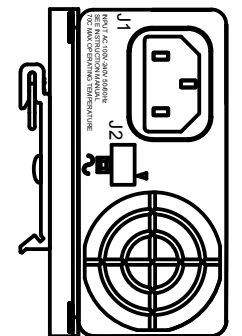
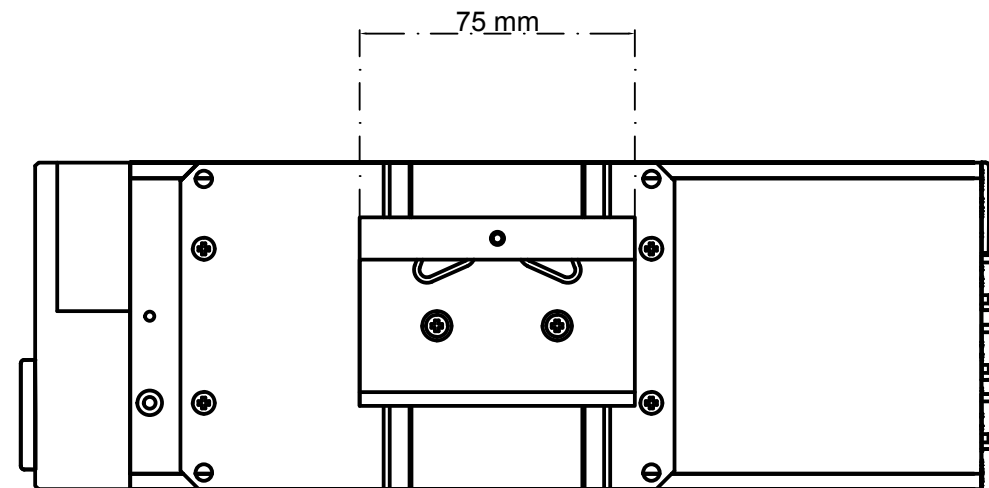


4 x M4 screws required to mount DIN rail connector to Xgen/Ultimod chassis



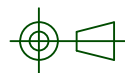
Hammond Manufacturing
p/n 1427DIN75M

Excelsys p/n Z744



----	----	----	----	----	----
----	----	----	----	----	----
----	----	----	----	----	----
----	----	----	----	----	----
----	----	----	----	----	----
REV	ECN #	PREPARED	DATE	CHECKED	DATE

TOLERANCES unless otherwise stated according to DIN ISO 2768-1/-2 CLASS m/K.
ALL DIMENSIONS IN mm.



MATERIAL

FINISH

SCALE: NOT TO SCALE

DOCUMENT NO.
61711r00
ORIGINAL :

TITLE
Excelsys DIN Rail Mounting Guide

PREPARED	DATE	CHECKED	DATE
D. NAUGHTON	21/10/15	P. Marshall	27/01/16

RELEASED	DATE
P. Marshall	27/01/16

TITLE (SHORT FORM)	----
RELEASED	DATE
P. Marshall	27/01/16

EXCELSYS TECHNOLOGIES LTD.
27 EASTGATE DRIVE, EASTGATE BUSINESS PARK, LITTLE ISLAND, CORK, IRELAND.
(T) +353 21 4354716 (F) +353 21 4354864
(WEB) www.excelsys.com

PAGE 1 OF 3